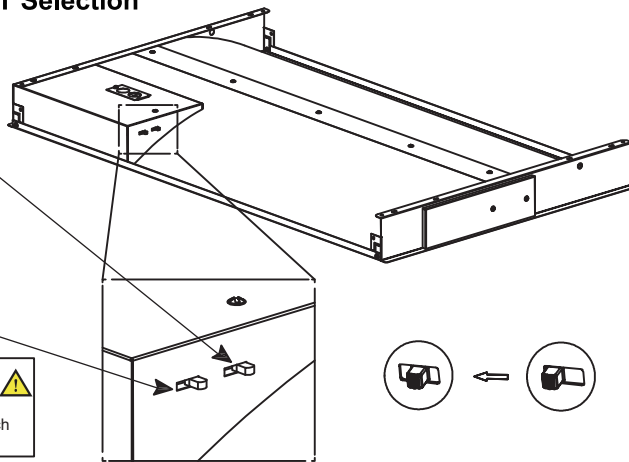
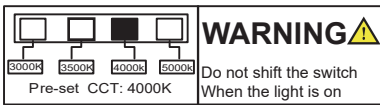
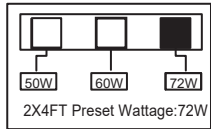
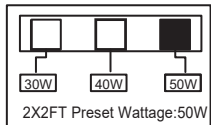
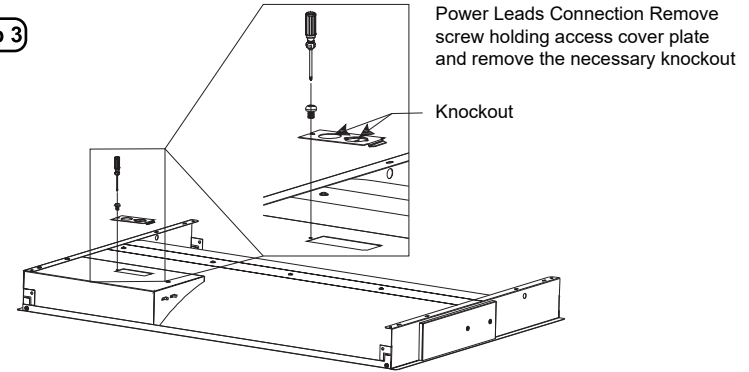


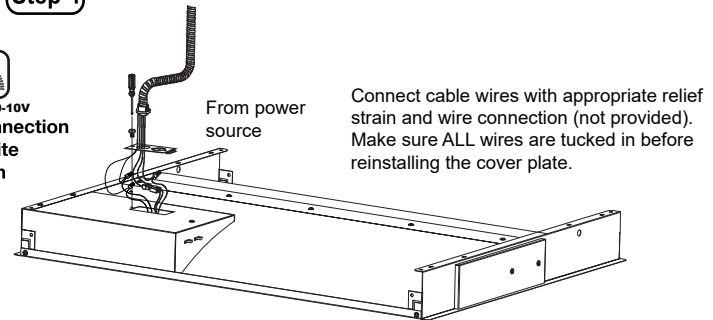
Watt & CCT Selection



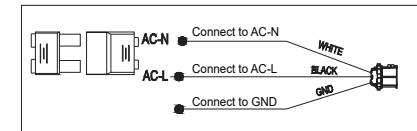
Step 3



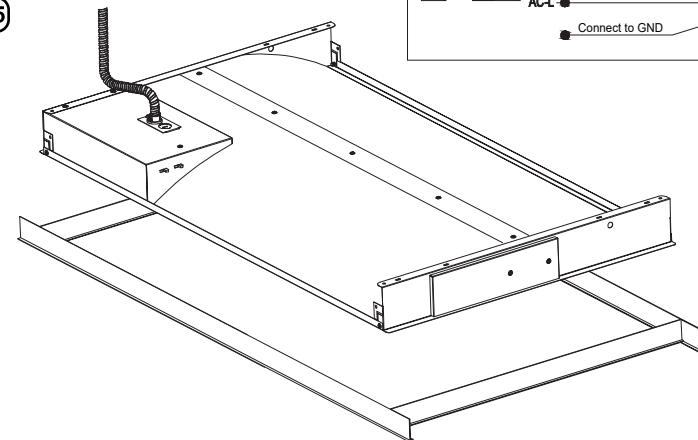
Step 4



Wiring Diagram

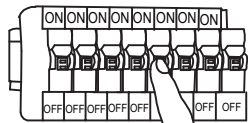


Step 5



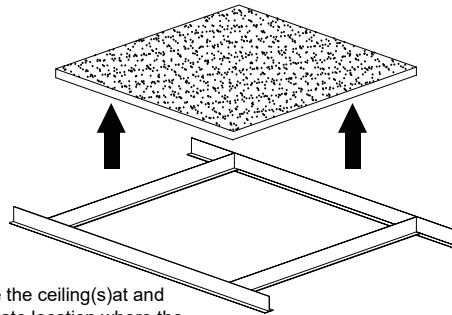
A.T-Grid ceilings installation

Step 1

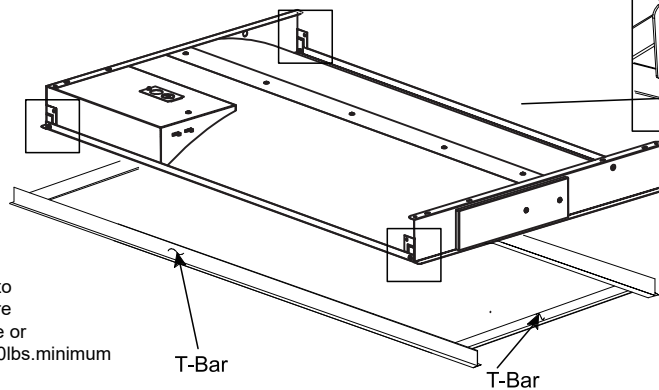


Turn off the switch

Step 2



T-Bar



After securing the light fixture to the T-bar secure the light fixture to the ceiling with aircraft cable or wires capable of supporting 100lbs. minimum